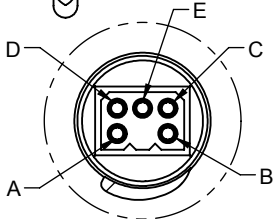
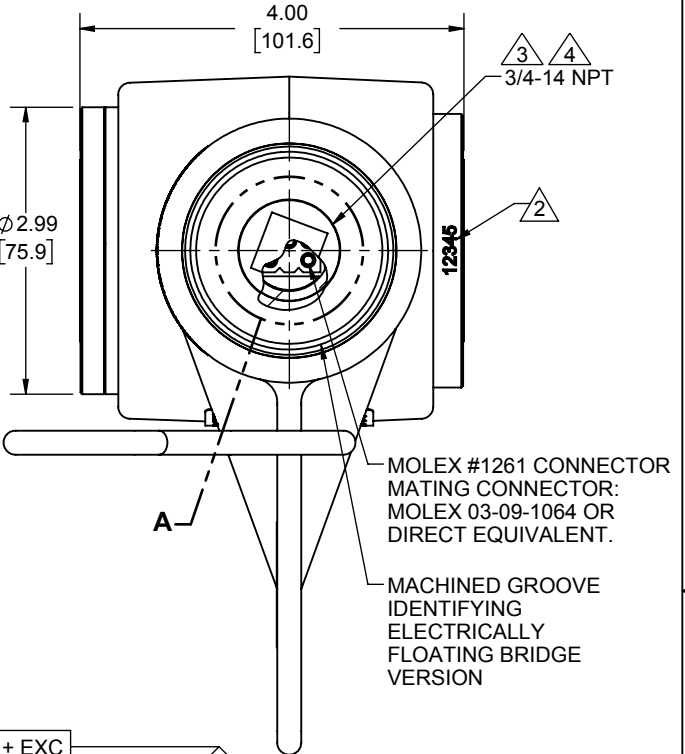
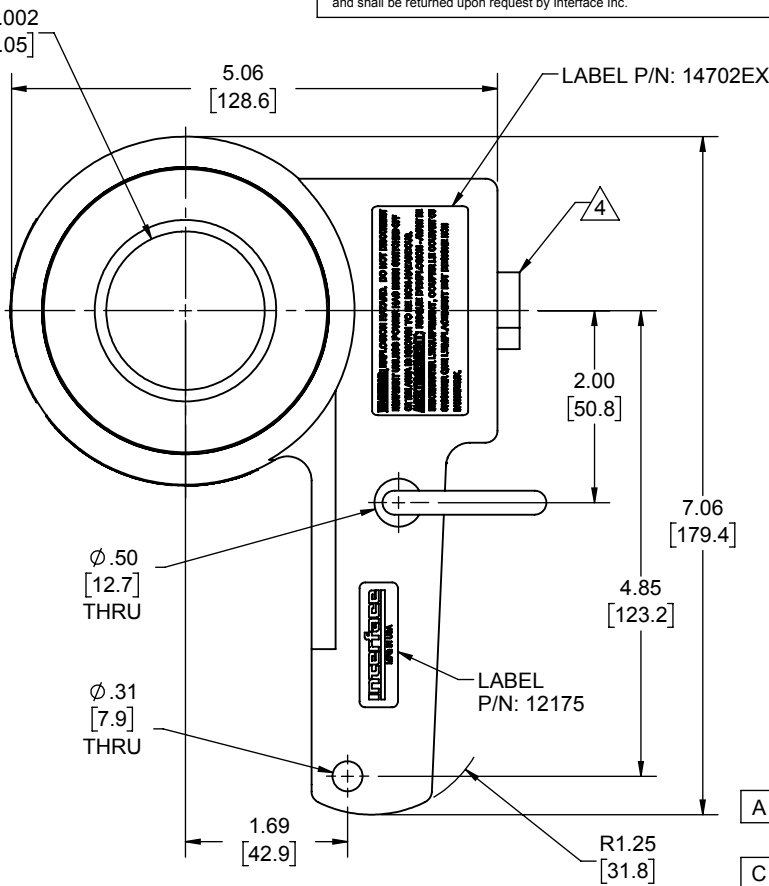
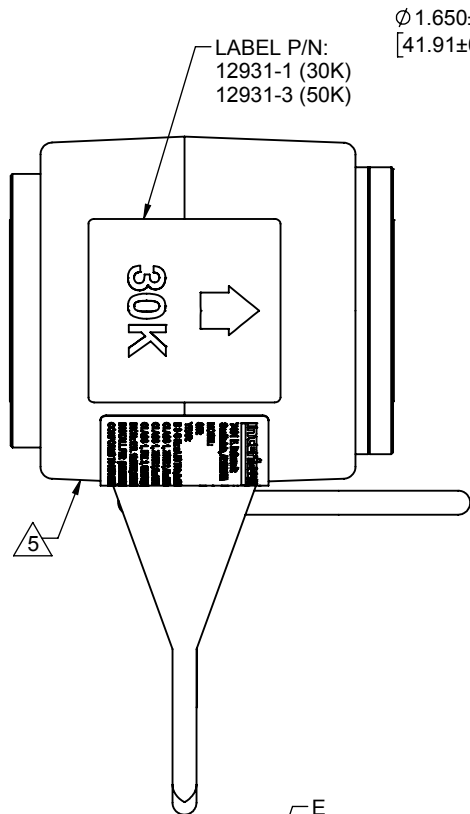


LOAD CELL CHARACTERISTICS	
CAPACITY	30K, 50K (lbf)

Interface Inc. claims proprietary rights in the information disclosed herein. This drawing is furnished in confidence on the express understanding that neither it nor any reproduction thereof will be disclosed to others or used for the purpose of manufacture or procurement of the article or part shown herein without written permission of Interface Inc. The drawing shall remain the property of Interface Inc. and shall be returned upon request by Interface Inc.

82793

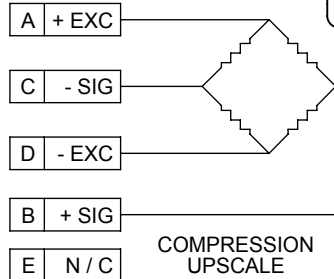
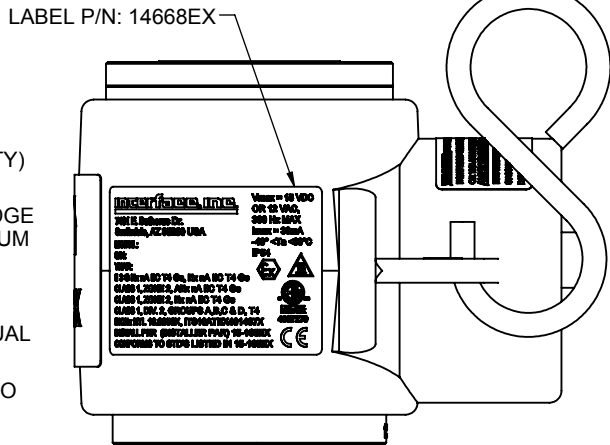
REVISIONS			
REV.	DESCRIPTION	DATE	APPROVED
A	INITIAL RELEASE	8/28/2019	KV



DETAIL A
SCALE 1 : 1.5

(CAPLUG REMOVED FOR CLAIRTY)

- INSULATION RESISTANCE BRIDGE TO CASE 1000 MEGOHM MINIMUM @ 500 VAC.
- SERIAL NUMBER.
- CONSULT INSTALLATION MANUAL 15-165EX BEFORE INSTALLING.
- PLASTIC CAPLUG INSTALLED TO PROTECT THREAD.
- P/N 11042: COVER, BLUE



CONNECTOR PINOUT	
PIN	FUNCTION
A	+ EXCITATION
B	+ SIGNAL
C	- SIGNAL
D	- EXCITATION
E	NO CONNECTION
COMPRESSION UPSCALE	

Ex Product Related Drawing
Revision requires approval of person responsible for Ex certificate

UNLESS OTHERWISE SPECIFIED DIMENSIONS ARE IN INCHES [mm]	
TOLERANCES ARE:	
ANGLES ± 0° 30'	
.XX	± .05 [1.27]
.XXX	± .005 [0.13]
CREATOR	DATE
DESIGNED: KV	8/27/2019
DETAILED: NS	8/27/2019
WEIGHT: (APPROX) 7.5 (lbs)	

interface
ADVANCED FORCE MEASUREMENT
7401 E. BUTHERUS DR. SCOTTSDALE, AZ USA 85260

TITLE:
**OUTLINE MODEL:
1923FWM LOAD CELL**

SIZE: DWG. NO. **82793**

SCALE: 1:2

SHEET 1 OF 1

REV: **A**